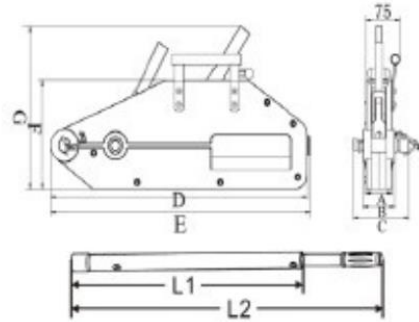


WIRE ROPE WINCH MODEL : WRW TYPE



Technical information:

THE HH WIRE ROPE WINCH IS AN EXTREMELY VERSATILE AND PORTABLE UNIT FOR PULLING, LIFTING, LOWERING AND SECURING LOADS THAT IS BOTH EASY AND SAFE TO OPERATE.

- All machines are supplied complete with 20 meter wire rope and an extendable operating lever.
- Wire rope is tapered one end and fitted with a Pin and safety catch at the other end.
- Only the HH Especially manufactured wire rope supplied will ensure correct functioning.
- The machine has low maintenance requirements and is easy to service.
- Overload protection ensures high personal safety when in operation.

TECHICAL DIMENSION	ProductCode	Capacity	PullingCapacity	RopeDiameter	OverallLengthof Body	OverallWidthof Body	OverallHeightof Body	Weight
		(Kgs)	(Kgs)	(mm)	(mm)	(mm)	(mm)	(Kgs)
	WRW0.8	800	1200	83	420	101	240	6
	WRW1.6	1600	2400	11	545	120	270	11
	WRW3.2	3200	4800	16	645	150	320	22
	WRW5.4	5400	8000	20	935	200	410	56